

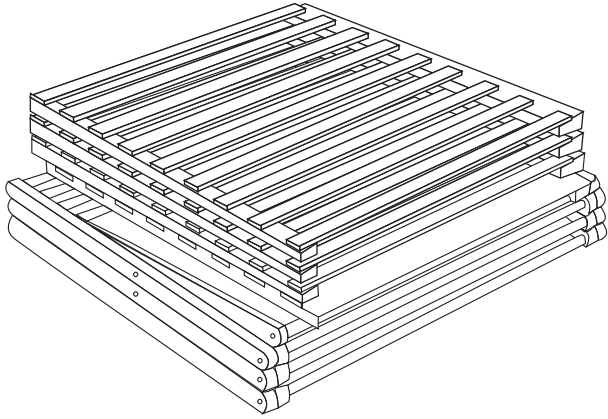
INSTRUCTION MANUAL

FITZROY L CUPBOARD

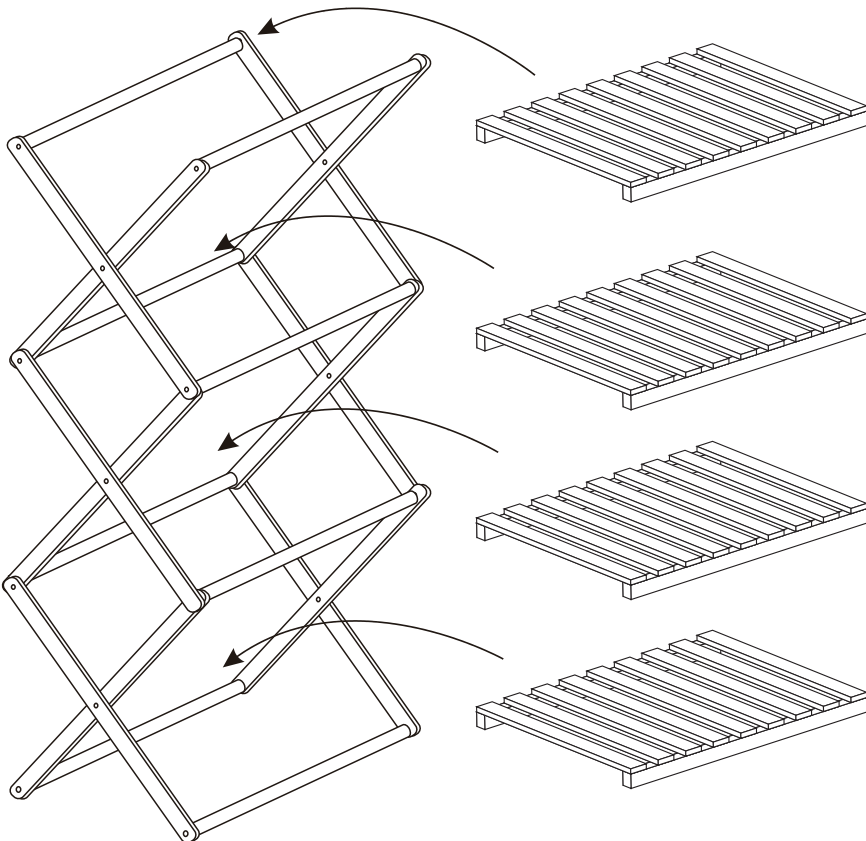
1609300



Step 1



Step 2



Step 3

