

INSTRUCTION MANUAL

HANGING LAMP KUMA

5818808

Operation Method

Lightning:

- 1) Switch mode 1: High Mode --> Middle Mode --> Low Mode --> Off.
Press the button within 5 seconds to choose which light mode you want, then press again to close it. When you open it next time it will regain the light mode of last time.
- 2) Switch mode 2: SOS Flash Mode off.
Hold and press the button until it works, then press again to close it.

Charging operation & Battery capacity indicator:

- 1) Charge its inside battery: open the micro USB port cover, plug in the 5V power, the red indicator will glow while charging and the blue indicator will light while being fully charged.
- 2) When open this product, the indicator will light four different colors. Blue light means battery capacity is the highest, orange light means high, green light means oki, red light means it needs to recharge.

Using of hanging hook:

Rotating the bracket to be used as the hanging hook, also you can remove the mini hook and hang this product on a cylinder.

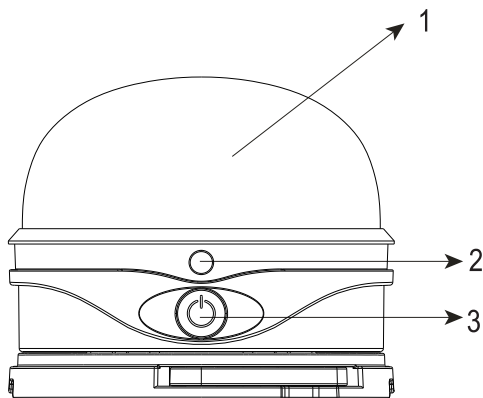
Sticking to iron object:

Place the bracket of this product on any kind of iron objects and it can stick to the surface with built-in magnet. The bracket also can rotate 60 degree.

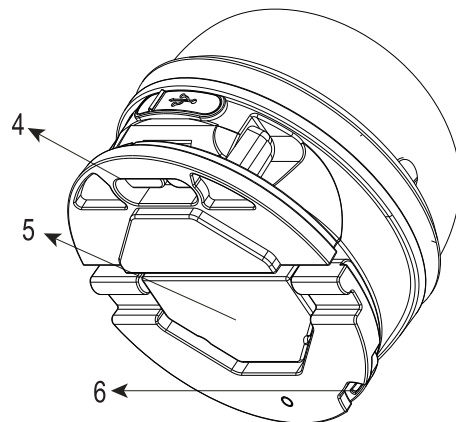
Cautions

- Don't point at eyes directly so as not to hurt the eyes.
- Do not use this product in which temperature more than 50 degrees or 20 degrees below zero centigrade. Otherwise led light source and the battery life will be reduced greatly.
- In order to assure the using life of the battery and the mechanical parts, please pay attention to the instructions below:
You should recharge it at least once a half of a year and keep the battery maintain the best states.
- Do not place this product in which temperature or humidity is high. Do not drop or hit this product.
- We do not give notice again if the parameter of this product changed.
- We reserve the final right to interpret this product.

Product Accessoires



1. LED lamp shade
2. Charge indicator
3. Switch



4. Bracket
5. Magnet
6. Hanging hook