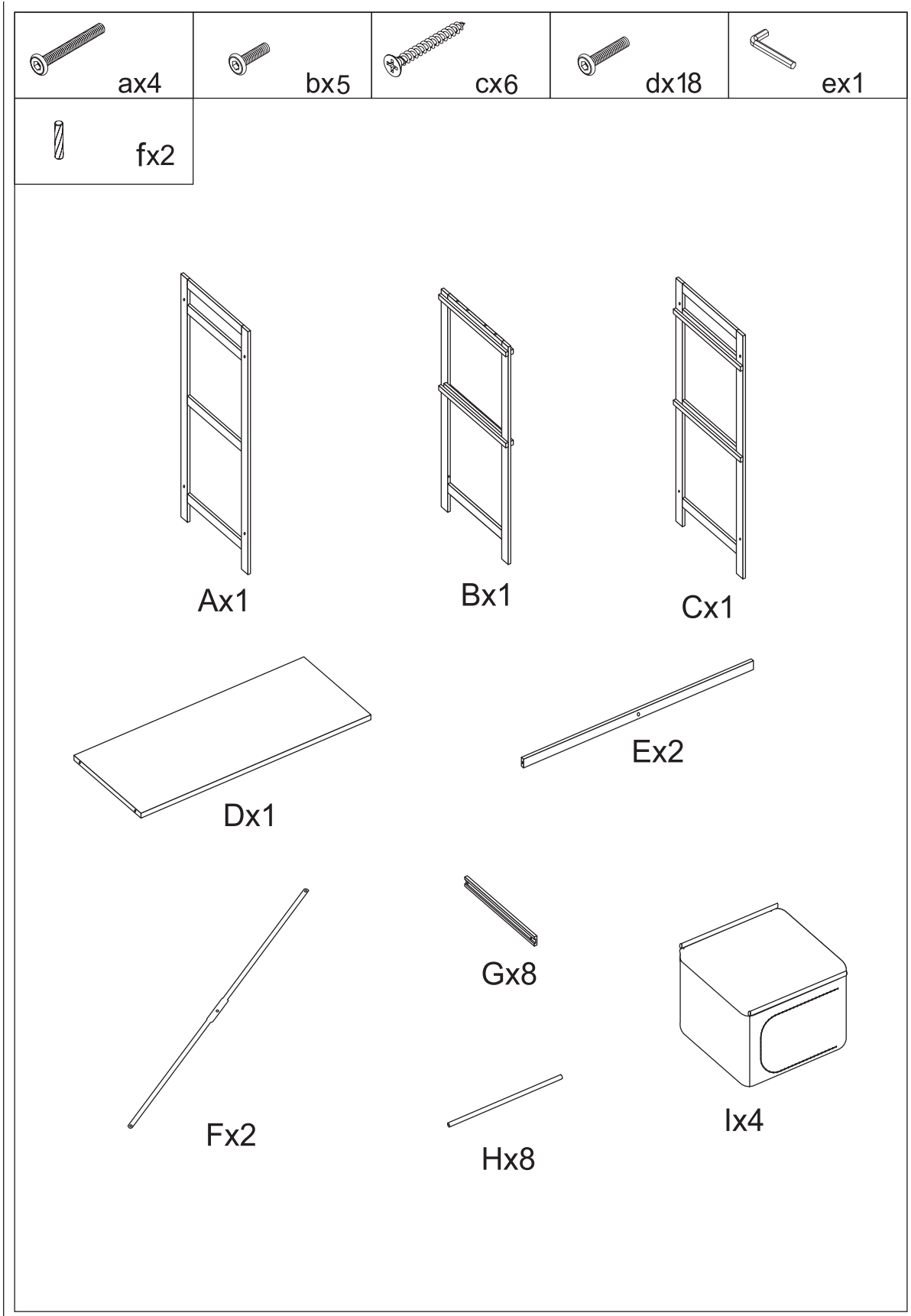


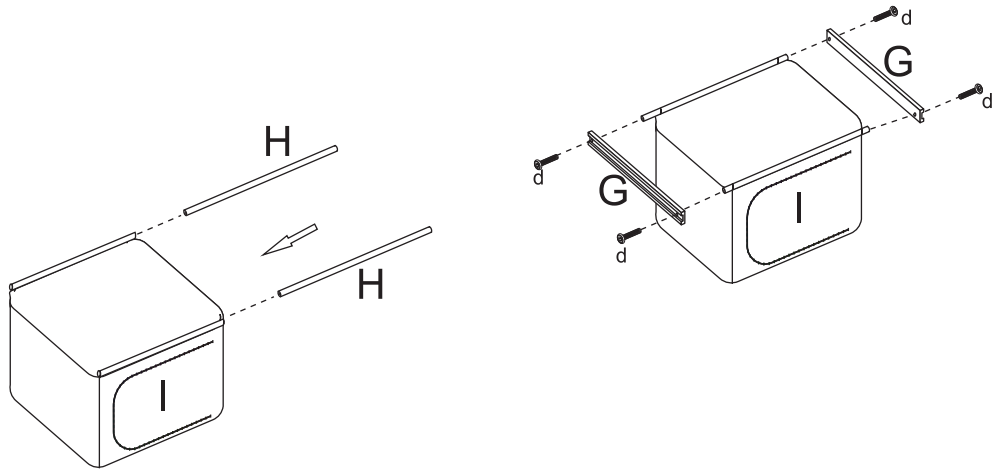
INSTRUCTION MANUAL

COOKING CUPBOARD LAWTON

1593628

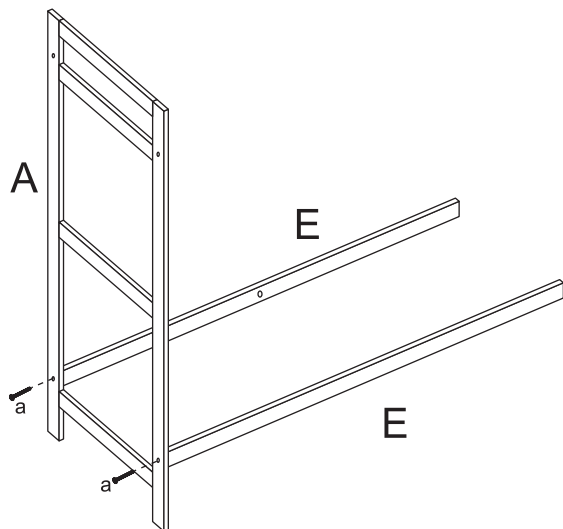


1

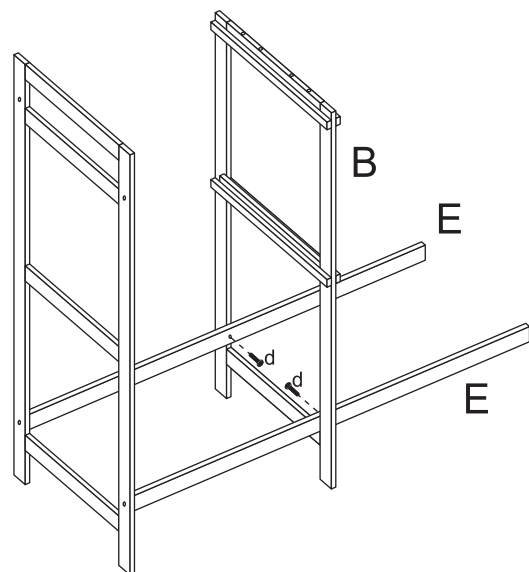


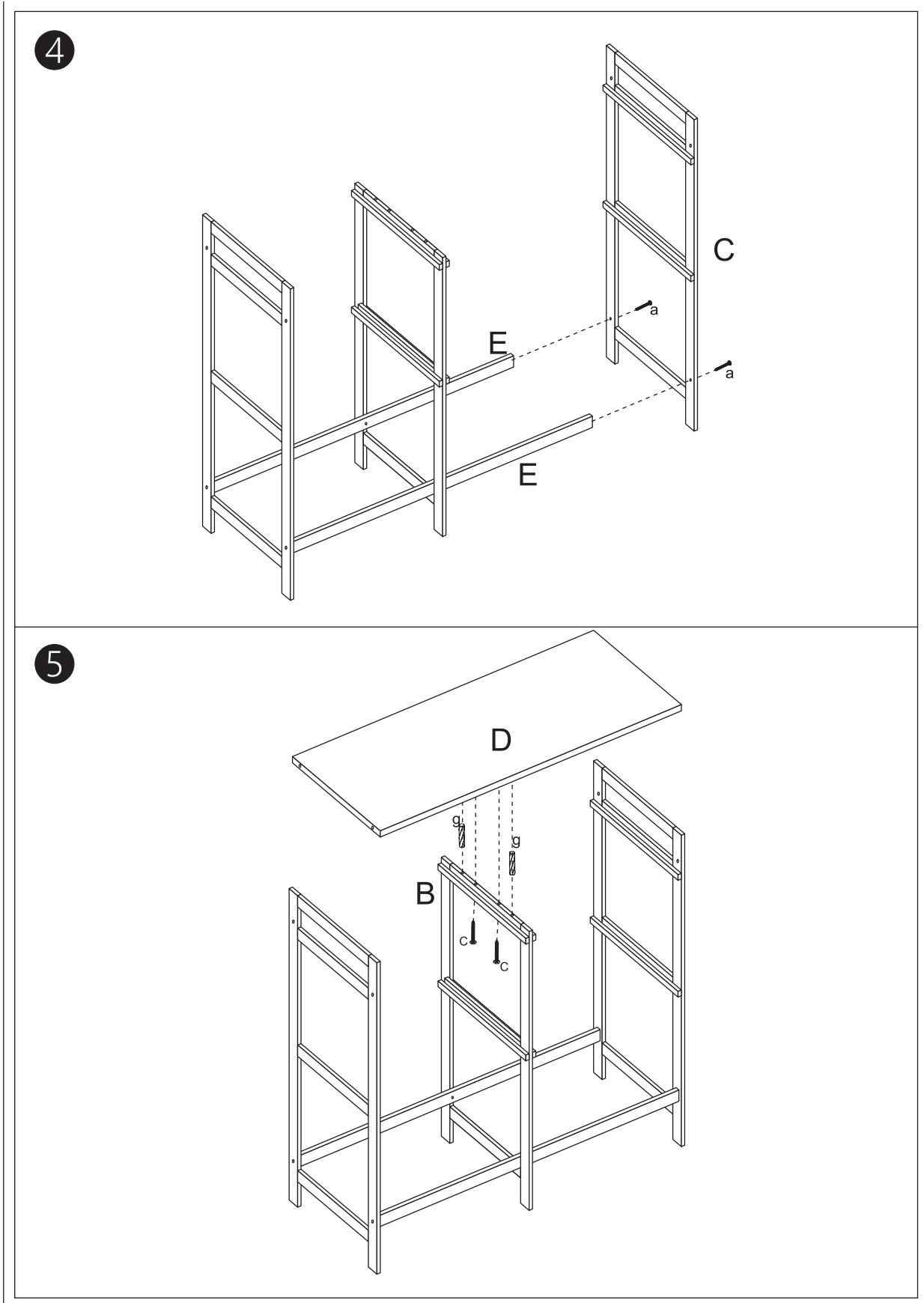
x4

2

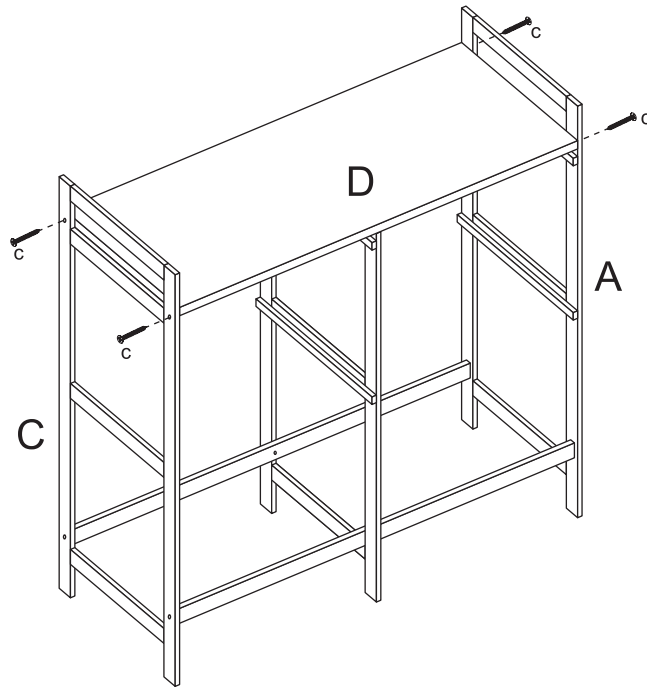


3

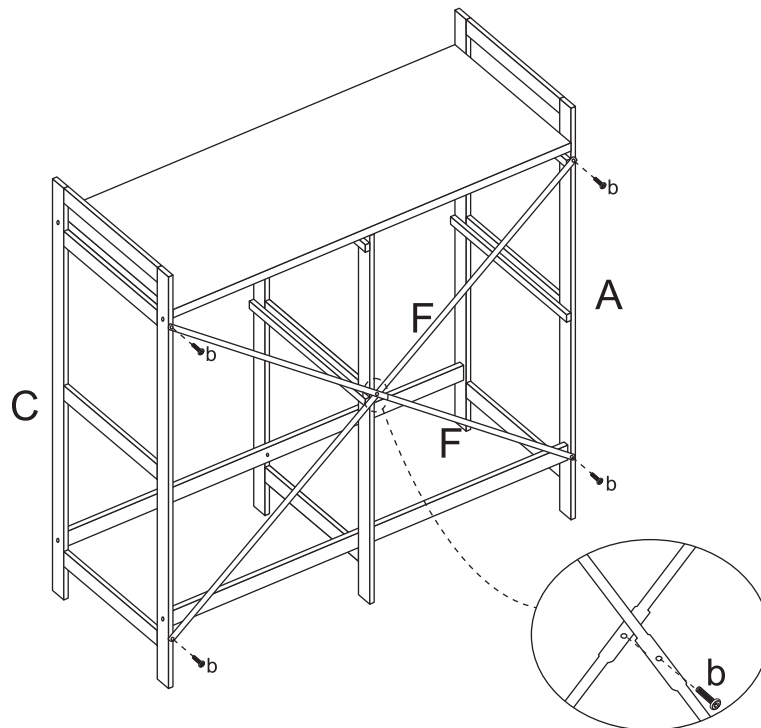




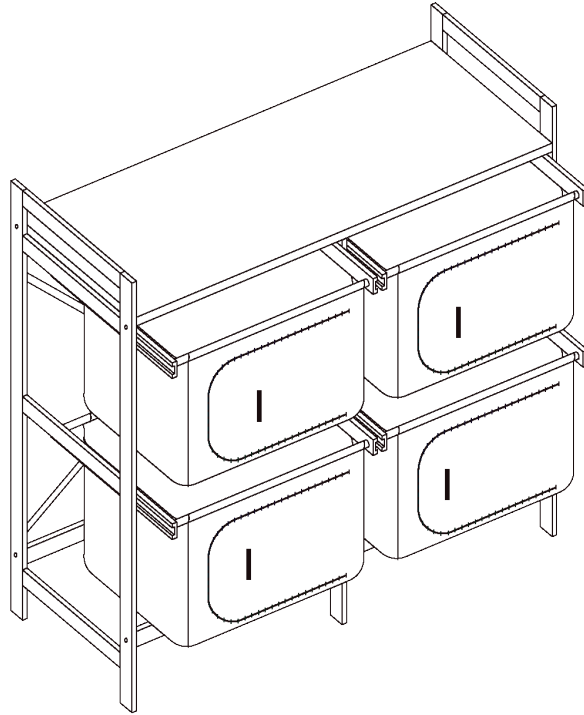
6



7



8



9

