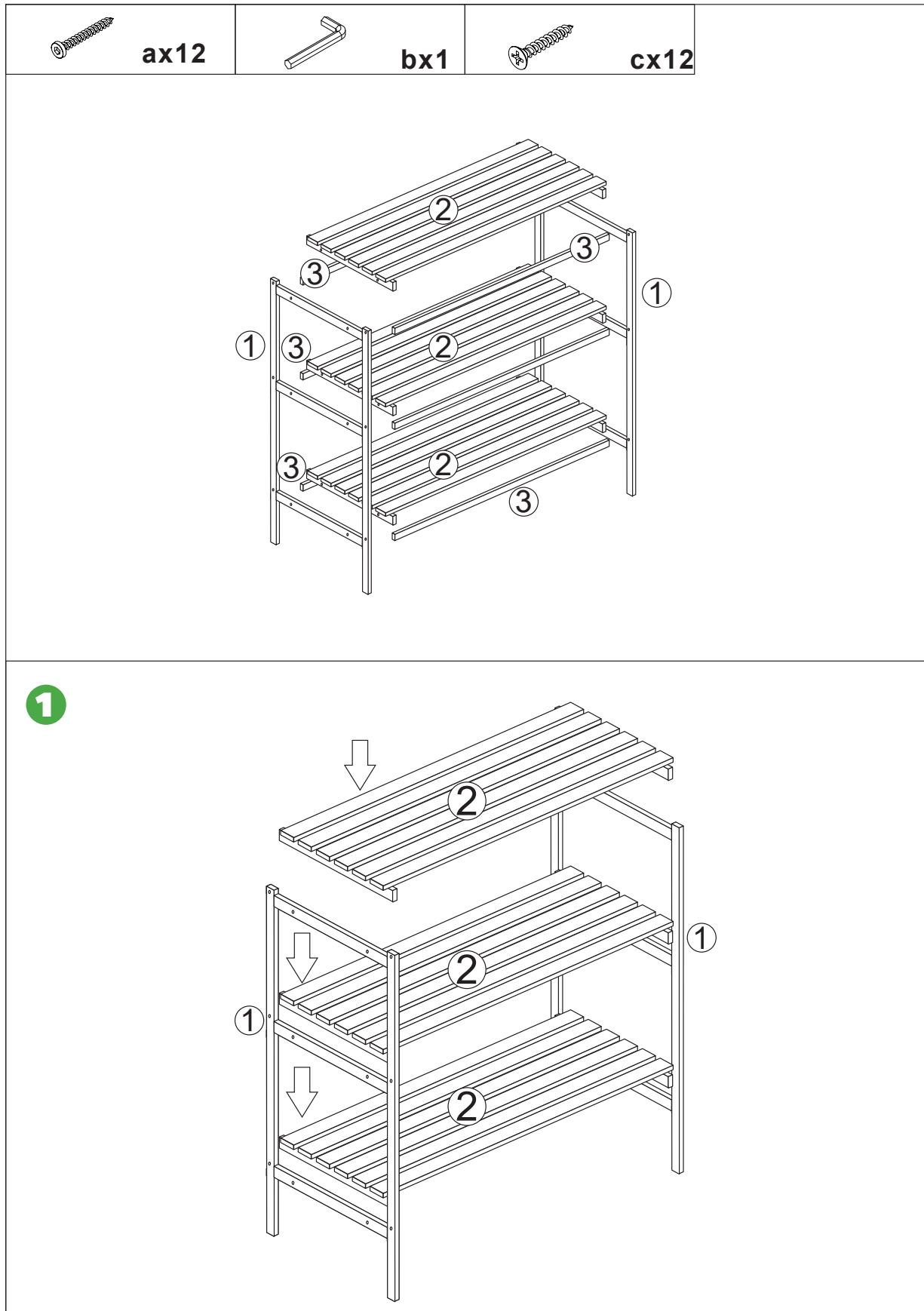


INSTRUCTION MANUAL

CABINET PRIMROSE

1609319

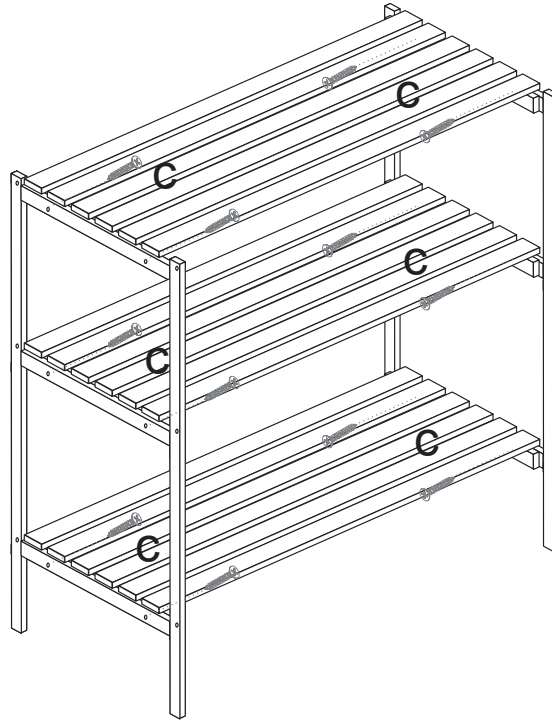


INSTRUCTION MANUAL

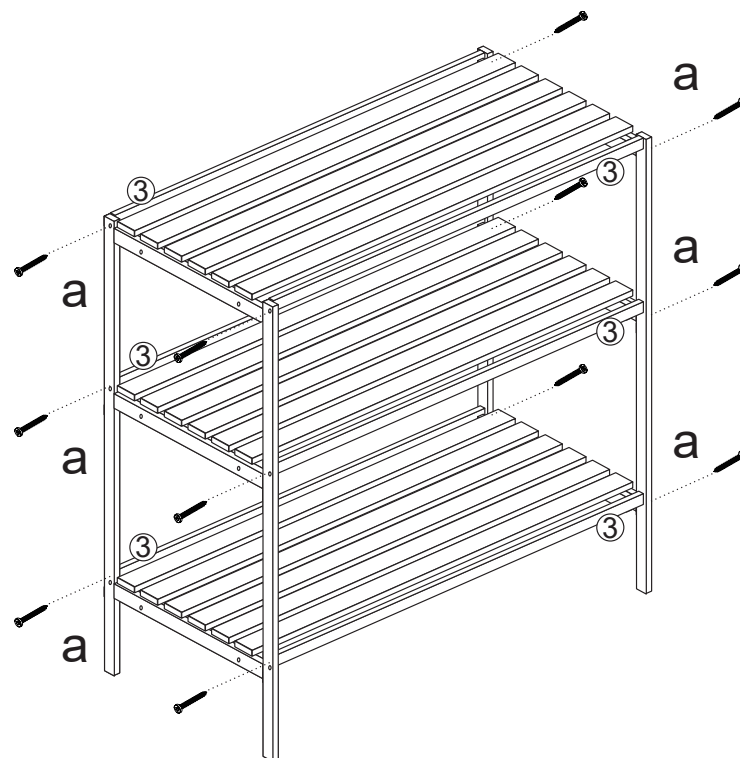
CABINET PRIMROSE

1609319

2



3



INSTRUCTION MANUAL

CABINET PRIMROSE

1609319



4

